



## WL60

### Wheel Loader

High productivity and ideal comfort

The WL 60 wheel loader offers an extremely comfortable cab and a wide variety of options. The operating philosophy is designed for ergonomics. Everything is well within the operator's reach, which ensures fatigue-free work even over a longer period of time. The high flow load-sensing performance hydraulics with 150 l/min flow rate is the strongest in the 6 t class, also ensuring more operating comfort and less fuel consumption by the machine.



### Highlights

- {30/40 km/h}{18.64/24.85 mph} speed
- The wheel loader as an attachment carrier
- Clear 3.5-inch digital display
- Comfortable working environment
- Joystick console spring-mounted on the operator's seat

### Technical Data

#### Standard engine data

Engine manufacturer	Perkins
Motor type	904J-E36TA
Cylinder	4
Drive output	74.4 kW
Drive output	101.2 PS
at max. rpm	2,200 U/min
Cylinder capacity	3,621 cm <sup>3</sup>
Type of coolant	Water/charge air
Exhaust standard level	V
Exhaust aftertreatment	DOC/DPF/SCR

#### Electrical system

Operating voltage	12 V
Battery	135 Ah
Alternator	85 A

#### Weights

Bucket capacity (standard bucket)	1.00 m <sup>3</sup>
Operating weight	5,930 kg
Tipping load with bucket – machine straight, loading frame horizontal	3,674 kg
Tipping load with bucket – machine pivoted, loading frame horizontal	3,031 kg
Tipping load with pallet fork – machine straight, loading frame horizontal	3,344 kg

Tipping load with pallet fork – machine pivoted, loading frame horizontal 2,791 kg

#### Driver's cab

Driver's cab	Cab
--------------	-----

#### Filling levels

Tank capacity for fuel	105 l
Tank capacity for hydraulic oil	95 l
Tank capacity for urea solution	19 l

#### Drive system

Type of drive	Hydrostatic
drive unit	universal joint shaft
Speed levels	2
Axle	PA 1422
Travel speed Standard	0-20 km/h
Travel speed Option 1	0-30 km/h
Travel speed Option 2	0-40 km/h
Operating brake	Disc brake (combined with parking brake)
Parking brake	Service and parking brake in the drive train acts on all 4 wheels
Differential lock	100 % front axle + rear axle

#### Hydraulic system

Drive hydraulics working pressure (max.)	445 bar
--	---------

The illustrations, equipment and data shown may deviate from the current delivery program of your country. Optional equipment subject to additional charge may be shown. Subject to changes.

Work hydraulics discharge volume (max.)	100 (115-150) l/min
Work hydraulics working pressure (max.)	210 bar

■ **Kinematics**

Kinematics type	Z
Lifting cylinder	2
Tipping cylinder	1
Quick change system	hydraulic

■ **Steering**

Steering type	hydraulically activated articulated pendulum steering
---------------	---

Steering cylinder	1
Oscillating angle	±12 degree

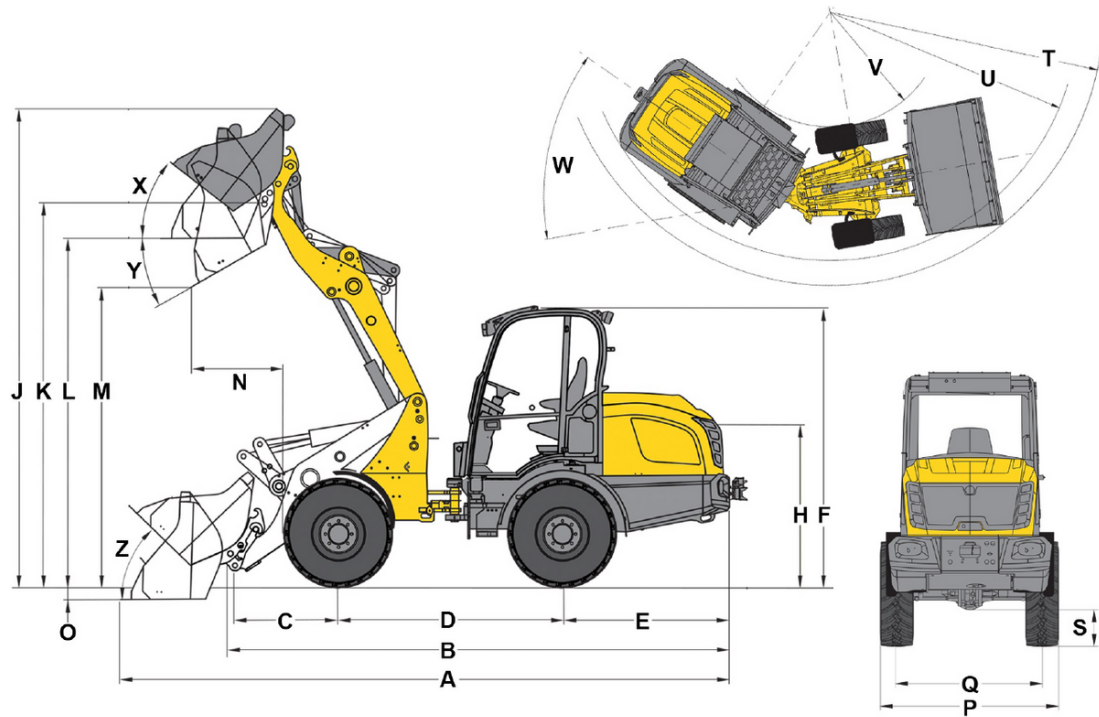
■ **Noise characteristic values**

Average sound power level LwA (cabin)	101.6 dB(A)
Guaranteed sound power level LwA (cabin)	103 dB(A)
Specified sound pressure level LpA (cabin)	74 dB(A)

■ **Other information**

FSD = overhead guard  
 DPF = diesel particulate filter  
 DOC = diesel oxidation catalyst  
 SCR = selective catalytic reduction  
 Tipping load calculation pursuant to ISO 14397

## Dimensions



A	Total length	5,898 mm
B	Total length without bucket	4,780 mm
C	Bucket pivot point (to center of axle)	991 mm
D	Wheel base	2,150 mm
E	Rear overhang	1,676 mm
F	Height with cab	2,693 mm
H	Seat height	1,609 mm
J	Total working height	4,409 mm
K	Bucket pivot point (max. lift height)	3,686 mm
L	Load-over height	3,375 mm
M	Dumping height	2,841 mm
N	Reach (at M)	290 mm
O	Digging depth	74 mm
P	Total width	1,829 mm
Q	Track width	1,422 mm
S	Ground clearance	375 mm
T	Maximum radius	4,072 mm
U	Radius on the outer edge	3,686 mm
V	Inner radius	1,666 mm
W	Articulation angle	42 °
X	Rollback angle at max. lift height	33 °
Y	Dumping angle	33 °
Z	Rollback angle on ground	39 °