



WL20

Wheel Loader

Agile in the most confined spaces

The Wacker Neuson WL20 wheel loader can be used with great versatility – even in the narrowest passageway. And not only that: even in confined spaces, the wheel loader delivers first-class work results, impressive down the line. Beside high levels of working comfort and outstanding safety standards, the WL20 wheel loader offers exceptional maneuverability, off-road capability and speed, saving space in application.

Highlights

- Tilttable cabin and optimal service access
- The wheel loader as an attachment carrier
- EPS folding overhead guard (Easy Protection System)
- Maximum traction thanks to articulated pendulum joint
- Selectable operator's cab

Technical Data

Standard engine data

Engine manufacturer	Perkins
Motor type	403 J-11
Cylinder	3
Drive output	18.4 kW
Drive output	25 PS
at max. rpm	2,800 U/min
Cylinder capacity	1,131 cm ³
Type of coolant	Water
Exhaust standard level	V
Exhaust aftertreatment	-

Electrical system

Operating voltage	12 V
Battery	77 Ah
Alternator	40 A

Weights

Bucket capacity (standard bucket)	0.19 m ³
Operating weight	2,000 - 2,150 kg
Tipping load with bucket – machine straight, loading frame horizontal	1,215 - 1,437 kg
Tipping load with bucket – machine pivoted, loading frame horizontal	977 - 1,206 kg
Tipping load with pallet fork – machine straight, loading frame horizontal	904 - 970 kg

Tipping load with pallet fork – machine pivoted, loading frame horizontal 719 - 866 kg

Driver's cab

Driver's cab	FSD (EPS, cabin)
--------------	------------------

Filling levels

Tank capacity for fuel	20 l
Tank capacity for hydraulic oil	20 l

Drive system

Type of drive	Hydrostatic
drive unit	universal joint shaft
Speed levels	2
Axle	T80 (T94)
Travel speed Standard	0-20 km/h
Operating brake	Hydrostatic drive system acting on all 4 wheels (wear-free)
Parking brake	Service and parking brake in the drive train
Differential lock	100% VA + HA (option)

Hydraulic system

Drive hydraulics working pressure (max.)	330 (450) bar
Work hydraulics discharge volume (max.)	30,8 l/min

Kinematics

Kinematics type	P
-----------------	---

Lifting cylinder	2
Tipping cylinder	1
Quick change system	hydraulic
■ Steering	
Steering type	hydraulically activated articulated pendulum steering
Steering cylinder	1
Oscillating angle	± 12 degree

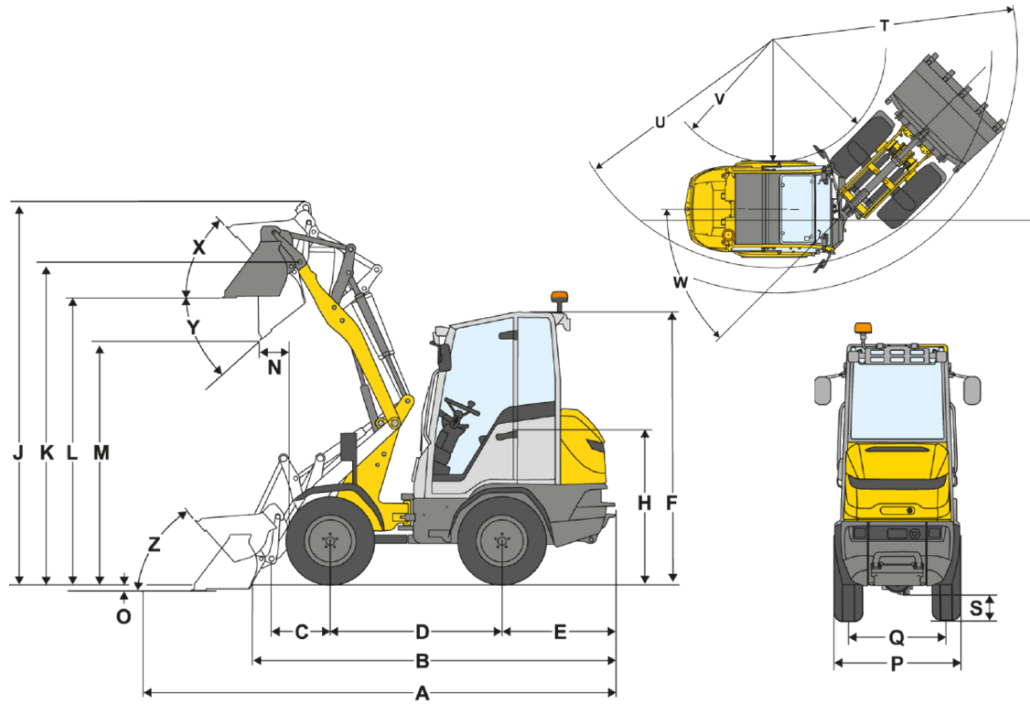
■ Noise characteristic values

Average sound power level LwA (operator's canopy)	99 dB(A)
Guaranteed sound power level LwA (operator's canopy)	101 dB(A)
Specified sound pressure level LpA (operator's canopy)	84 dB(A)

■ Other information

FSD = Fahrerschutzdach
 EPS = Easy Protection System (klappbares Fahrerschutzdach)
 DPF = Dieselpartikelfilter
 DOC = Dieseloxydationskatalysator
 Kipplastberechnung nach ISO 14397

Dimensions



A	Total length	3,721 mm
B	Total length without bucket	3,063 mm
C	Bucket pivot point (to center of axle)	508 mm
D	Wheel base	1,468 mm
E	Rear overhang	975 mm
F	Height with operator's canopy (fixed)	2,189 mm
	Height with fold-down operator's canopy (EPS)	2,293 mm
F	Height with fold-down operator's canopy (EPS), folded down	1,880 mm
	Height with lowerable operator's canopy (EPS Plus)	2,195 mm
F	Height with lowerable operator's canopy (EPS Plus), lowered	1,901 mm
	Height with cab	2,302 mm
H	Seat height	1,225 mm
J	Total working height	3,274 mm
K	Bucket pivot point (max. lift height)	2,693 mm
L	Load-over height	2,424 mm
M	Dumping height	2,011 mm
N	Reach (at M)	350 mm
O	Digging depth	94 mm
P	Total width	1,076 mm
Q	Track width	810 mm
T	Maximum radius	2,681 mm
U	Radius on the outer edge	2,356 mm
V	Inner radius	1,219 mm
W	Articulation angle	45 °
X	Rollback angle at max. lift height	50 °
Y	Dumping angle	38 °
Z	Rollback angle on ground	48 °