



WL38

Wheel Loader

The plus in performance and comfort

The WL38 wheel loader offers with an extraordinarily high hydraulic output and various motors you can select – both the best values in its performance class. With the P-Z kinematics, the WL38 offers high breakout forces and first-class parallel guidance. All this combined makes for impressive performance, allowing the flexible use of attachments. The machine is ideally equipped for different work tasks. The cab, with its extremely generous design, offers the operator extra comfort and ergonomics and makes working with the machine easy.

Highlights

- Ergonomic cockpit
- High hydraulic performance
- The wheel loader as an attachment carrier
- Variety of equipment
- Joystick console spring-mounted on the operator's seat

Technical Data

■ Standard engine data

Engine manufacturer	Deutz
Motor type	TD 2.9 L4 S5
Cylinder	4
Drive output	45 kW
Drive output	61 PS
at max. rpm	2,300 U/min
Cylinder capacity	2,900 cm ³
Type of coolant	Water
Exhaust standard level	V
Exhaust aftertreatment	DOC/DPF
Average sound power level LwA (cabin)	98.8 dB(A)
Guaranteed sound power level LwA (cabin)	101 dB(A)
Specified sound pressure level LpA (cabin)	74 dB(A)

■ Engine data Option 1

Engine manufacturer	Deutz
Motor type	TCD 2.9 L4 S5
Cylinder	4
Drive output	55.4 kW
Drive output	75 PS
at max. rpm	2,300 U/min

Cylinder capacity	2,900 cm ³
Type of coolant	Water/charge air
Exhaust standard level	V
Exhaust aftertreatment	DOC/DPF
Average sound power level LwA (cabin)	100 dB(A)
Guaranteed sound power level LwA (cabin)	101 dB(A)
Specified sound pressure level LpA (cabin)	77 dB(A)

■ Electrical system

Operating voltage	12 V
Battery	100 Ah
Alternator	95 A

■ Weights

Bucket capacity (standard bucket)	0.64 m ³
Operating weight	4,300 kg
Tipping load with bucket – machine straight, loading frame horizontal	3,719 kg
Tipping load with bucket – machine pivoted, loading frame horizontal	3,113 kg
Tipping load with pallet fork – machine straight, loading frame horizontal	3,170 kg
Tipping load with pallet fork – machine pivoted, loading frame horizontal	2,662 kg

■ Driver's cab

Driver's cab	Cab
--------------	-----

■ Filling levels

Tank capacity for fuel	65 l
Tank capacity for hydraulic oil	50 l

■ Drive system

Type of drive	Hydrostatic
drive unit	universal joint shaft
Speed levels	2
Axle	PA 1200
Travel speed Standard	0-20 km/h
Travel speed Option 1	0-28 km/h
Operating brake	Hydrostatic drive system acting on all 4 wheels (wear-free)
Parking brake	Service and parking brake in the drive train acts on all 4 wheels
Differential lock	100 % front axle + rear axle

■ Hydraulic system

Drive hydraulics working pressure (max.)	450 bar
--	---------

Work hydraulics discharge volume (max.)	57,5 (74-115) l/min
Work hydraulics working pressure (max.)	210 bar

■ Kinematics

Kinematics type	PZ
Lifting cylinder	2
Tipping cylinder	1
Quick change system	hydraulic

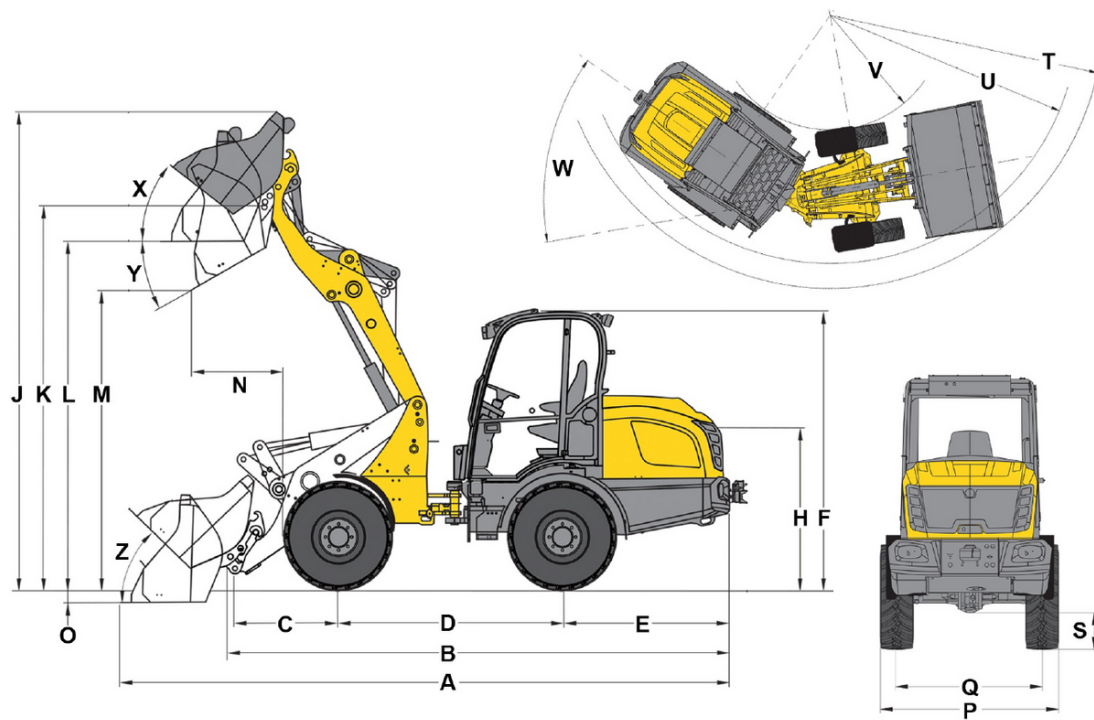
■ Steering

Steering type	hydraulically activated articulated pendulum steering
Steering cylinder	1
Oscillating angle	±12 degree

■ Other information

FSD = overhead guard
DPF = diesel particulate filter
DOC = diesel oxidation catalyst
SCR = selective catalytic reduction
Tipping load calculation pursuant to ISO 14397

Dimensions



A	Total length	5,138 mm
B	Total length without bucket	4,344 mm
C	Bucket pivot point (to center of axle)	675 mm
D	Wheel base	2,045 mm
E	Rear overhang	1,516 mm
F	Height with cab	2,371 mm
	Height with cab raised	2,548 mm
H	Seat height	1,204 mm
J	Total working height	3,828 mm
K	Bucket pivot point (max. lift height)	3,251 mm
L	Load-over height	2,892 mm
M	Dumping height	2,379 mm
N	Reach (at M)	270 mm
O	Digging depth	120 mm
P	Total width	1,570 mm
Q	Track width	1,200 mm
S	Ground clearance	312 mm
T	Maximum radius	3,652 mm
U	Radius on the outer edge	3,317 mm
V	Inner radius	1,640 mm
W	Articulation angle	45 °
X	Rollback angle at max. lift height	43 °
Y	Dumping angle	42 °
Z	Rollback angle on ground	41 °